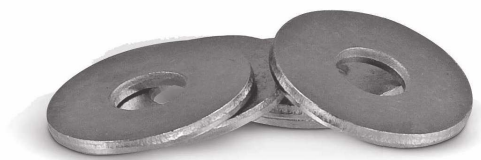


Steel Washer PDS



Description

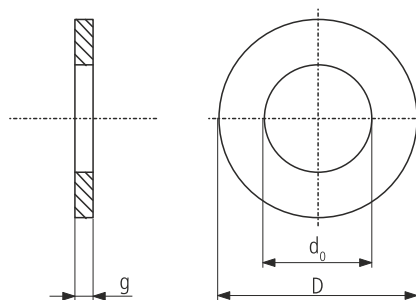
Together with the SRS crew and the NKS nut, the PSD steel washer is used for the installation of rectangular ducts.

Example identification

Product code: **PDS - 8**

type _____
 diameter _____

Dimensions



Standard Steel Washer PDS, according to DIN 125

code	d_0 [mm]	D [mm]	g [mm]	weight [kg/100]
PDS-6	6,4	12	1,6	0,10
PDS-8	8,4	16	1,6	0,18
PDS-10	10,5	20	2,0	0,37
PDS-12	13,0	24	2,5	0,50

Steel Washer PDS-P, according to DIN 9021

code	d_0 [mm]	D [mm]	g [mm]	weight [kg/100]
PDS-P-8	8,4	24	2,0	0,62
PDS-P-10	10,5	30	2,5	1,22
PDS-P-12	13,0	37	3,0	2,22

Steel Washer PDS-K, according to DIN 6798

code	d_0 [mm]	D [mm]	g [mm]	weight [kg/100]
PDS-K-8	8,4	15	0,7	0,07
PDS-K-10	10,5	18	0,9	0,12
PDS-K-12	13,0	20	1,0	0,14