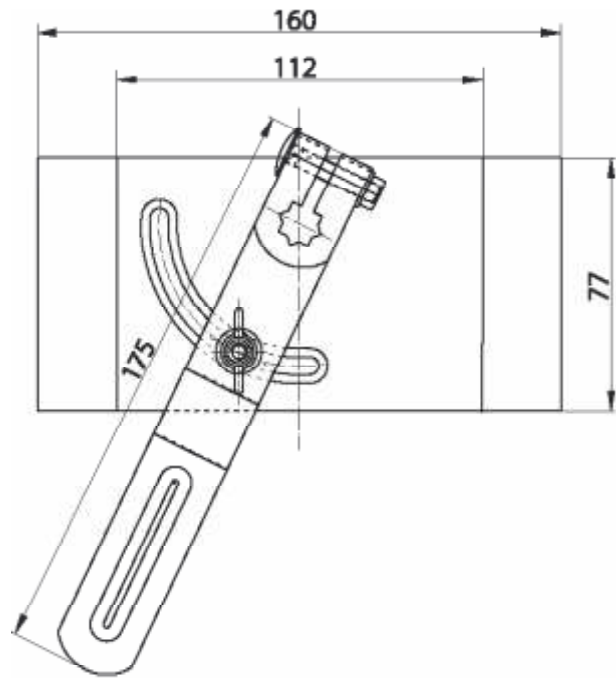


KKS-2



Dimensions



Description

The KKS-2 damper mechanism is made of galvanised sheet metal. It is used for dampers measuring from 315 to 800mm and multi-blade dampers. The KKS-2 fits under the rod of square section with dimensions of 10x10mm.

Example identification

Product code: **KKS-2**

type _____

type	A [mm]	B [mm]	C [mm]	L [mm]	application
KKS-2	112	160	77	175	DSQW