

Bends

BPL-K-90



Description

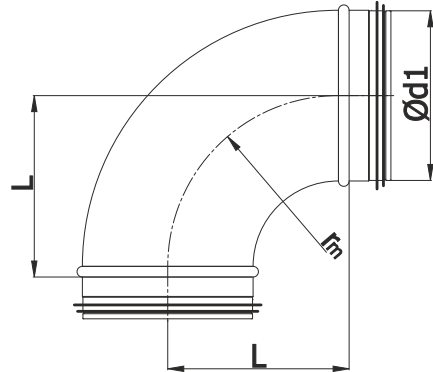
BPL-K - pressed bend with gasket, seam-welded, made of stainless steel.

Example identification

Product code: **BPL-K- aaa - 90**

type _____
 $\varnothing d_1$ _____
 ° _____

Dimensions



$r_m \varnothing 1 \times d_1$

$\varnothing d_1$ nom [mm]	A [mm]	B [mm]	weight [kg]
125	125	40	0,6
160	160	40	1,0
200	200	40	1,5

Technical Data

