

Round vane supply diffusers DKF / DKF-L



Description

The DKF round vane supply diffusers are compatible with low- and medium-pressure ventilation as well as A/C air supply and exhaust ducts. They can be used in steady and variable air flow systems. The DKF can be used in air heating and cooling systems. The DKF provides a very high air supply rate. The recommended installation orientation is in the ceiling plane. Version DKF-L with gasket.

Material: galvanized steel sheet

Finish: powder-coated

Standard colours: RAL 9010

All RAL palette colours are available on request.

Available materials — Product code examples

DKF-...- steel sheet, powder-coated finish colour: RAL 9010

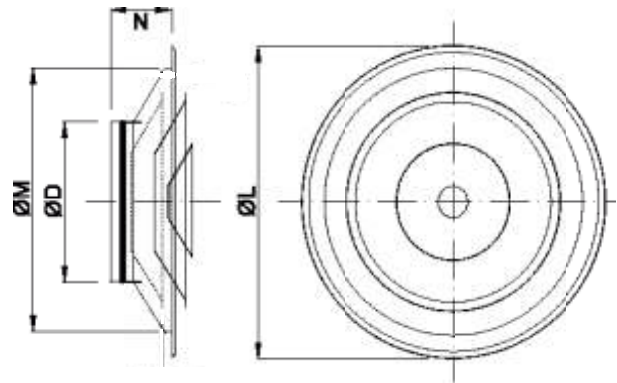
Product code example

Product code: **DKF - aaa**

type size

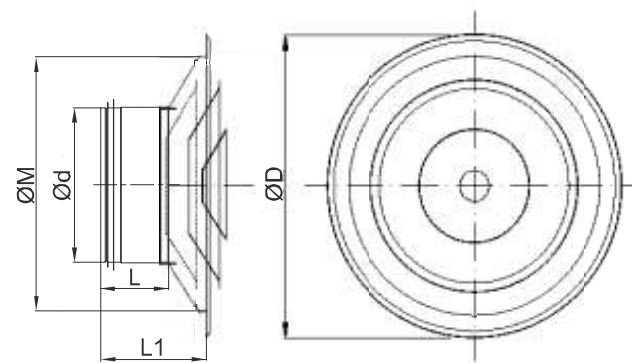
Dimensions

DKF



Code	ØD [mm]	ØL [mm]	ØM [mm]	N [mm]	Weight [kg]
DKF-125	124	305	270	80	1,0
DKF-160	159	305	270	82	1,0
DKF-200	199	378	330	84	1,5
DKF-250	249	477	420	99	2,2
DKF-315	314	591	530	116	3,4
DKF-400	398	690	630	128	5,1

DKF-L



Code	ØD [mm]	Ød [mm]	ØM [mm]	L ₁ [mm]	L [mm]	Weight [kg]
DKF-L-125	305	125	270	145	85	1,1
DKF-L-160	305	160	270	145	85	1,1
DKF-L-200	378	200	330	150	85	1,6
DKF-L-250	477	250	420	164	85	2,4
DKF-L-315	591	315	530	186	90	3,7
DKF-L-400	690	400	540	233	125	5,6

Round vane supply diffusers

DKF / DKF-L

Technical specifications

Selection charts

