

UVA-H

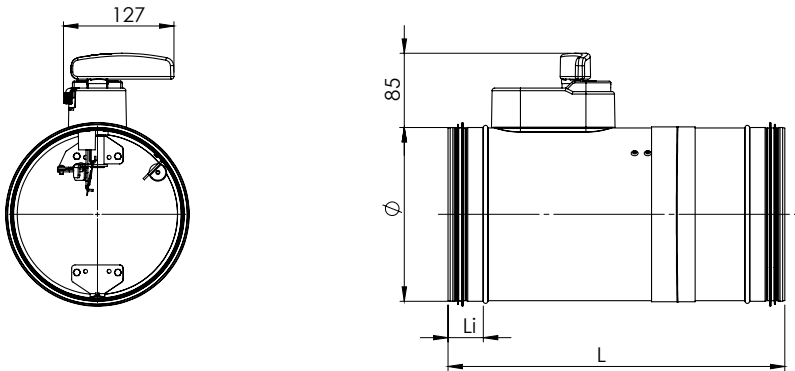
Circular fire damper with fusible link

Certified fire dampers signed with CE mark.

Fuse triggering temperature 72 °C.

Fire dampers on request can be equipped with end position switches (UVA-HEP).

Fire resistance information is provided on „Fire dampers booklet“.



Diameter D	Length, mm	Insertable part length L_i , mm	Code	Weight, kg
100	386	40	751700211	1,6
125	386	40	751700212	2,0
160	386	40	751700213	2,6
200	386	40	751700214	3,3
250	386	40	751700215	4,3
315	386	40	751700216	5,6
355	505	65	751700217	7,7
400	505	65	751700218	9,0
450	505	65	751700219	10,6
500	505	65	751700220	12,3
560	505	65	751700221	14,4

Introduction

Fire dampers are usually a part of HVAC (heating, ventilation, and air conditioning) system and are installed together with ducts. These kinds of dampers are used for passive fire protection by sealing off duct openings in fire-proof construction.

The main aims of fire dampers are:

- to prevent spreading toxic gases, fumes, heat and fire;
- to reduce property damage;
- to increase the effectiveness of other fire protectionsystems.

Highlights and facts:

- Fire resistance up to EI120S (see product range list)
- Casing leakage class C acc. to EN 1751.
- Blade leakage class 4 acc. to EN 1751.
- Manufactured in accordance with EN 15650.
- Tested for fire resistance properties according to EN 1366-2.
- Classified based on EN 13501-3 standard regulations.
- Conforms to the requirements of the Construction Products.
- Directive and relevant CE marking.
- Perforation used as thermal bridge.
- Modern technologies such as laser welding are used in the production of circular dampers.
- End switches are easily added to manual models.
- Fuse element is easily replaceable due to KOMFOVENT elaborated design.
- Remote installation is certified for UVA models.

Versions

UVA-HEP model - Fire dampers is equipped with end position switches.

UVA-HEO model - Fire dampers is equipped with end position switch indication position OPEN.

UVA-HEC model - Fire dampers is equipped with end position switch indication position CLOSED.

Fire resistance EIS60, EIS90, EIS120. Detailed fire resistance information is provided on „Fire dampers booklet“.

Materials

The UVA fire damper includes zinc-coated sheet metal, fire-resistant calcium silicate boards, non-aging graphite-based intumescent sealant, a trace amount of brass, and fire silicone. The materials are processed with advanced equipment in accordance with health and safety regulations. The packaging materials include wood, cardboard, and plastic wrap.