

Steel Nuts

NKS



Description

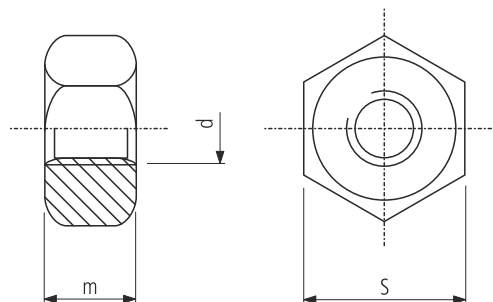
Together with SRS screws, the NKS steel nut is used for the installation of ventilation system components.

Example identification

Product code: **NKS - M8**

type _____
 diameter _____

Dimensions



code	d [mm]	class	S [mm]	weight [kg/100]
NKS-M6	6	5	10	0,25
NKS-M8	8	5	13	0,52
NKS-M10	10	5	17	1,16
NKS-M12	12	5	19	1,73